

## AC/DC Closed Loop Hall Current Sensor CYHCS-B101

This Hall Effect current sensor is based on closed loop compensating principle and can be used for measurement of DC and AC current, pulse currents etc. The output of the transducer reflects the real wave of the current carrying conductor.

Product Characteristics	Applications
<ul style="list-style-type: none"> <li>• Excellent accuracy</li> <li>• Very good linearity</li> <li>• Small size and encapsulated</li> <li>• Less power consumption</li> <li>• Current overload capability</li> </ul>	<ul style="list-style-type: none"> <li>• <b>Photovoltaic equipment</b></li> <li>• General Purpose Inverters</li> <li>• AC/DC Variable Speed Drivers</li> <li>• Battery Supplied Applications</li> <li>• Uninterruptible Power Supplies (UPS)</li> <li>• Switched Mode Power Supplies</li> </ul>

### ELECTRICAL CHARACTERISTIC

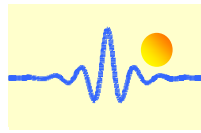
	CYHCS-B101-15A	CYHCS-B101-25A	CYHCS-B101-50A	
Nominal current	15	25	50	A
Measuring range	30	50	100	A
Number of secondary turns	1200±1	1000±1	2000±2	
Measuring resistance	40	40	40	Ω
Nominal analogue output current	12.5±0.5%	25±0.5%	25±0.5%	mA
Supply voltage	±15±5%			V
Accuracy at +25°C	0.1			%
Galvanic isolation	50Hz, 1min, 2.5kV			kV

### ACCURACY DYNAMIC PERFORMANCE

Zero offset voltage at +25°C	±0.2	mA
Thermal drift of offset current	-25°C ~ +85°C, ±0.6	mA
Linearity	≤0.1	%FS
di/dt accuracy followed	>50	A/μs
Response time	<1	μs
Bandwidth (-1db)	DC ~ 100	kHz

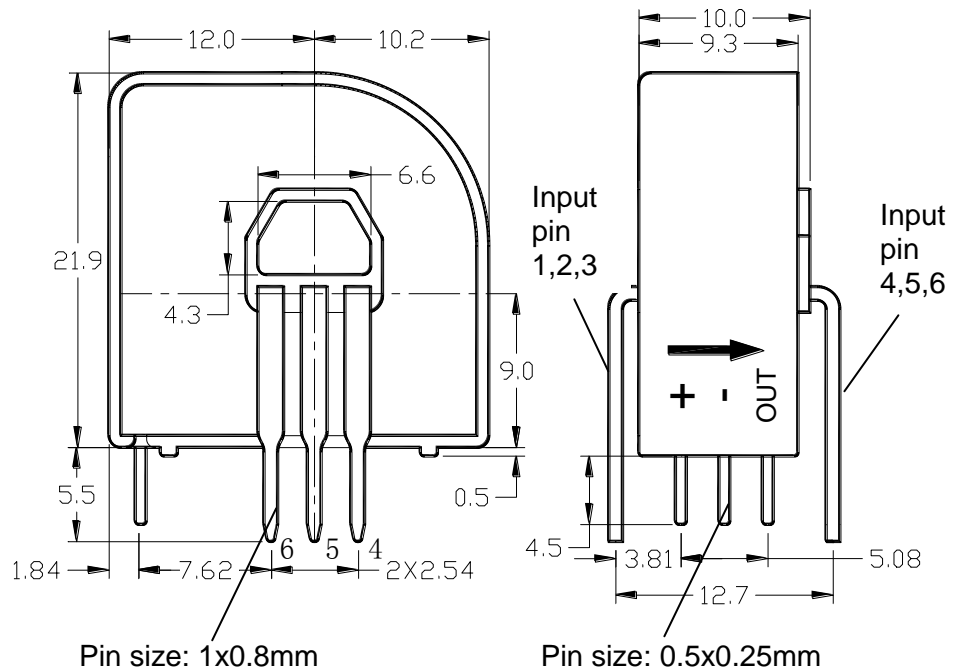
### GENERAL CHARACTERISTIC

Operating temperature	-25 ~ +85	°C
Storage temperature	-40 ~ +100	°C
Current consumption	< Output current + 20mA	mA



## Dimensions (mm)

+ +15V  
- -15V  
OUT: Output



## Wiring diagram

Number of Primary turns	Nominal current (A)	Output current (mA)	Primary resistance (mΩ)	Primary inductance (μH)	Pin connection
1	±15 ( ±25, ±50)	±12.5 (±25, ±25)	0.18	0.013	
2	±7.5 (±12.5, ±25)	±12.5 (±25, ±25)	0.81	0.05	
3	±5 (±8.3, ±16.6)	±12.5 (±25, ±25)	1.62	0.12	

## Application Notes

There are two inputs methods: 1) Cable Input using the sensor hole; 2) PCB Input using the input pins. You should only use one of these input models.

For the cable input model the current cable should be passed through the hole of the sensor. Taking the sensor CYHCS-B101-15A as example, the nominal current is 6A if the cable is passed through the hole one time. The nominal current is 7.5A or 5A if the cable is wired through the hole 2 or 3 times. In this input model please don't use the input pins.

For PCB input model one should wire the sensor according to the input pin connection shown in the above table. The 3 wiring diagrams correspond to the number of primary turns 1, 2 and 3. In this input model please don't use the hole of sensor as input.