

## AC/DC Closed Loop Hall Current Sensor CYHCS-B100

This Hall Effect current sensor is based on closed loop compensating principle and can be used for measurement of DC and AC current, pulse currents etc. The output of the transducer reflects the real wave of the current carrying conductor.

| Product Characteristics   | Applications  |
|---|---|
| <ul style="list-style-type: none"> <li>• Excellent accuracy</li> <li>• Very good linearity</li> <li>• Small size and encapsulated</li> <li>• Less power consumption</li> <li>• Current overload capability</li> </ul> | <ul style="list-style-type: none"> <li>• <b>Photovoltaic equipment</b></li> <li>• General Purpose Inverters</li> <li>• AC/DC Variable Speed Drivers</li> <li>• Battery Supplied Applications</li> <li>• Uninterruptible Power Supplies (UPS)</li> <li>• Switched Mode Power Supplies</li> </ul> |

### ELECTRICAL CHARACTERISTIC

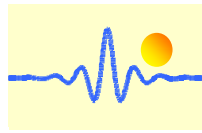
| Parameters                | CYHCS-B100-6A           | CYHCS-B100-15A | CYHCS-B100-25A | CYHCS-B100-50A |
|---------------------------|-------------------------|----------------|----------------|----------------|
| Nominal current           | 6A                      | 15A            | 25A            | 50A            |
| Measuring range           | 18A                     | 45A            | 75A            | 100A           |
| Measuring resistance      | 100Ω                    | 50Ω            | 50Ω            | 25Ω            |
| Number of secondary turns | 960±1                   | 1200±1         | 2000±2         | 2000±2         |
| Nominal output voltage    | +2.5VDC ± (0.625V±0.5%) |                |                |                |
| Supply voltage            | +5VDC ±5%               |                |                |                |
| Galvanic isolation        | 50Hz, 1min, >3kV        |                |                |                |
| Impulse withstand voltage | 1.2/50μs, >8kV          |                |                |                |
| Creepage distance         | >15.5mm                 |                |                |                |

### ACCURACY DYNAMIC PERFORMANCE

|   |                          |       |
|---|--------------------------|-------|
| Zero offset voltage at +25°C                    | 2.5±0.5%                 | V DC  |
| Thermal drift of offset voltage (-25°C ~ +85°C) | Typ.: ±0.08, Max.: ±0.20 | mV/°C |
| Linearity                                       | ≤0.1                     | %FS   |
| Accuracy  | ±0.7                     | %     |
| di/dt accuracy followed                         | >50                      | A/μs  |
| Response time                                   | <500                     | ns    |
| Bandwidth (-1db)                                | DC ~ 200                 | kHz   |

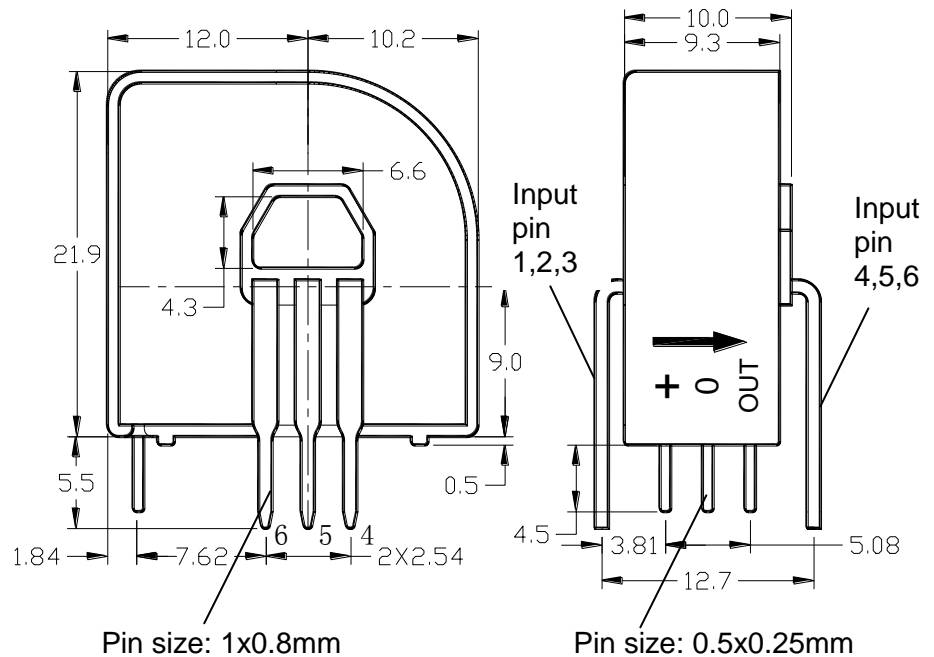
### GENERAL CHARACTERISTIC

|                       |            |    |
|-----------------------|------------|----|
| Operating temperature | -25 ~ +85  | °C |
| Storage temperature   | -40 ~ +100 | °C |
| Current consumption   | <45        | mA |



## Dimensions (mm)

+ +5V  
0 0V  
OUT: Output



## Wiring diagram

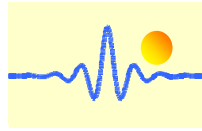
| Number of Primary turns | Nominal current (A) | Output voltage (V) | Primary resistance (mΩ) | Primary inductance (μH) | Input Pin Connection |
|-------------------------|---------------------|--------------------|-------------------------|-------------------------|----------------------|
| 1                       | ±6 (±15,±25,±50)    | 2.5±0.625          | 0.18                    | 0.013                   |                      |
| 2                       | ±3 (±7.5,±12.5,±25) | 2.5±0.625          | 0.81                    | 0.05                    |                      |
| 3                       | ±2(±5,±8.3, ±16.6)  | 2.5±0.625          | 1.62                    | 0.12                    |                      |

## Application Notes

There are two inputs methods: 1) Cable Input using the sensor hole; 2) PCB Input using the input pins. You should only use one of these input models.

For the cable input model the current cable should be passed through the hole of the sensor. Taking the sensor CYHCS-B100-6A as example, the nominal current is 6A if the cable is passed through the hole one time. The nominal current is 3A or 2A if the cable is wired through the hole 2 or 3 times. In this input model please don't use the input pins.

For PCB input model one should wire the sensor according to the input pin connection shown in the above table. The 3 wiring diagrams correspond to the number of primary turns 1, 2 and 3. In this input model please don't use the hole of sensor as input.

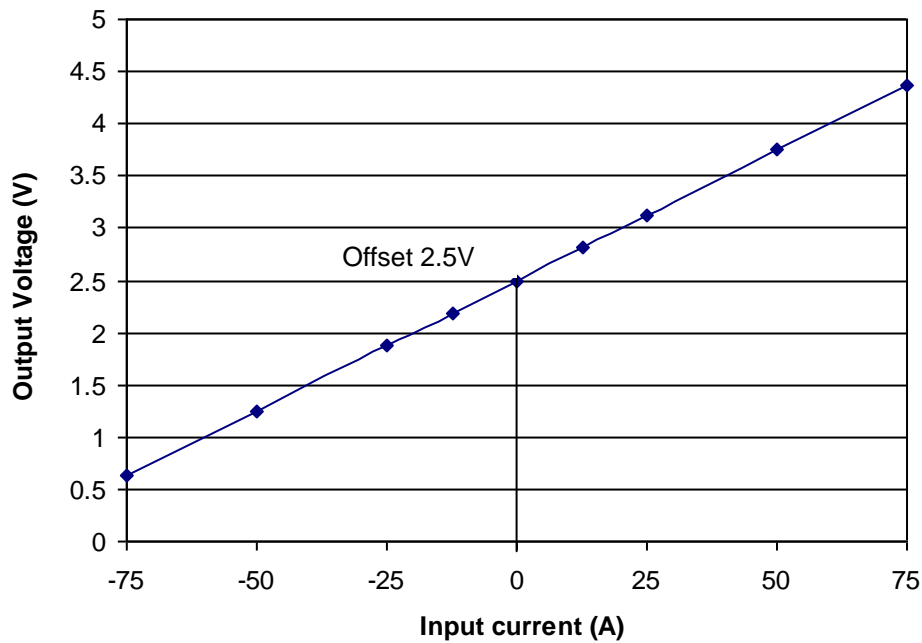


## Relation between Input Current and Output Voltage

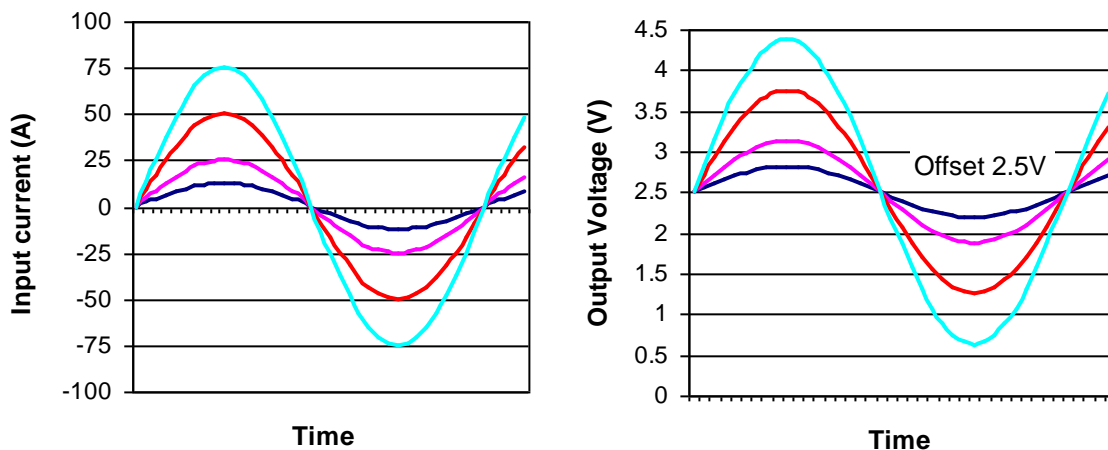
Take the sensor CYHCS-B100-25A as sample, the relation between the input current and output voltage is shown in the table 1, Fig.1 and Fig. 2

**Table 1.** Relation between the input current and output voltage

|                    |       |      |       |       |     |       |       |      |       |
|--------------------|-------|------|-------|-------|-----|-------|-------|------|-------|
| Input current (A)  | -75   | -50  | -25   | -12.5 | 0   | 12.5  | 25    | 50   | 75    |
| Output voltage (V) | 0.625 | 1.25 | 1.875 | 2.188 | 2.5 | 2.813 | 3.125 | 3.75 | 4.375 |



**Fig. 1** Relation between the input current (DC) and output voltage (DC)



**Fig. 2** Relation between the input current (AC) and output voltage (AC)